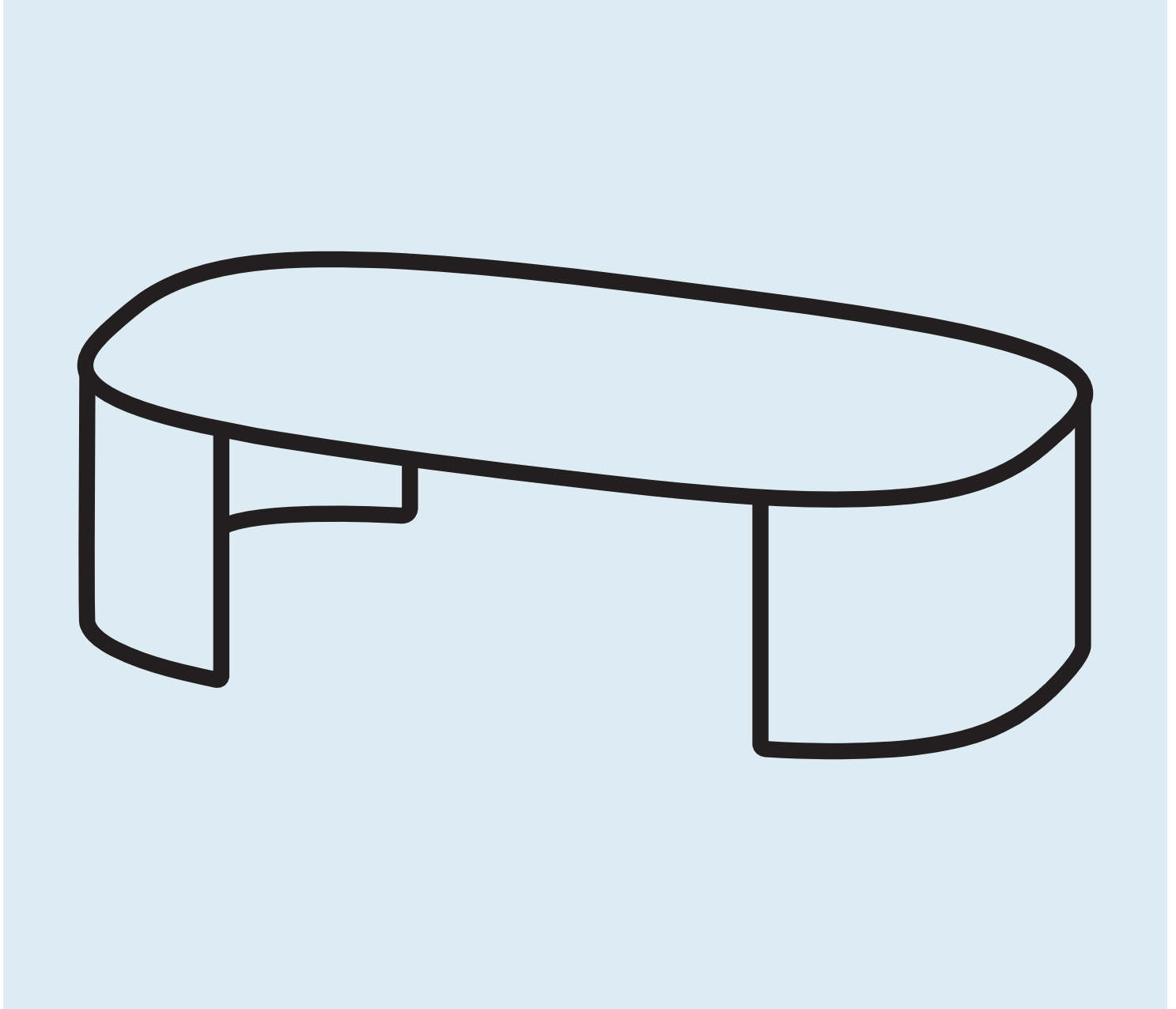


# Bug Coffee Table



DESIGNED IN 2023

ASSEMBLY NOTES | REV 02



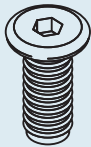
## NEED A HAND?

Contact us at [service@bludot.com](mailto:service@bludot.com) or **844.425.8368** for assistance.

## @BLUDOT

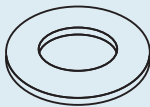
We design all our pieces in our Minneapolis studio. Follow along on Instagram for some sneak peeks into the process.

# Parts & Hardware



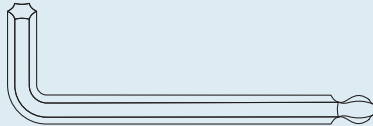
QTY 8

Pt. 1074



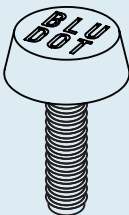
QTY 8

Pt. 3002



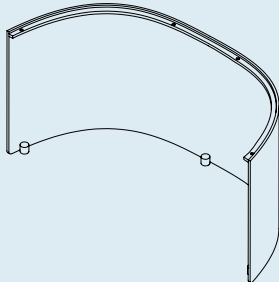
QTY 1

Allen Key



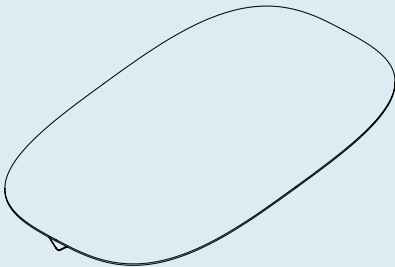
QTY 6

Adjustable Glide



QTY 2

Leg



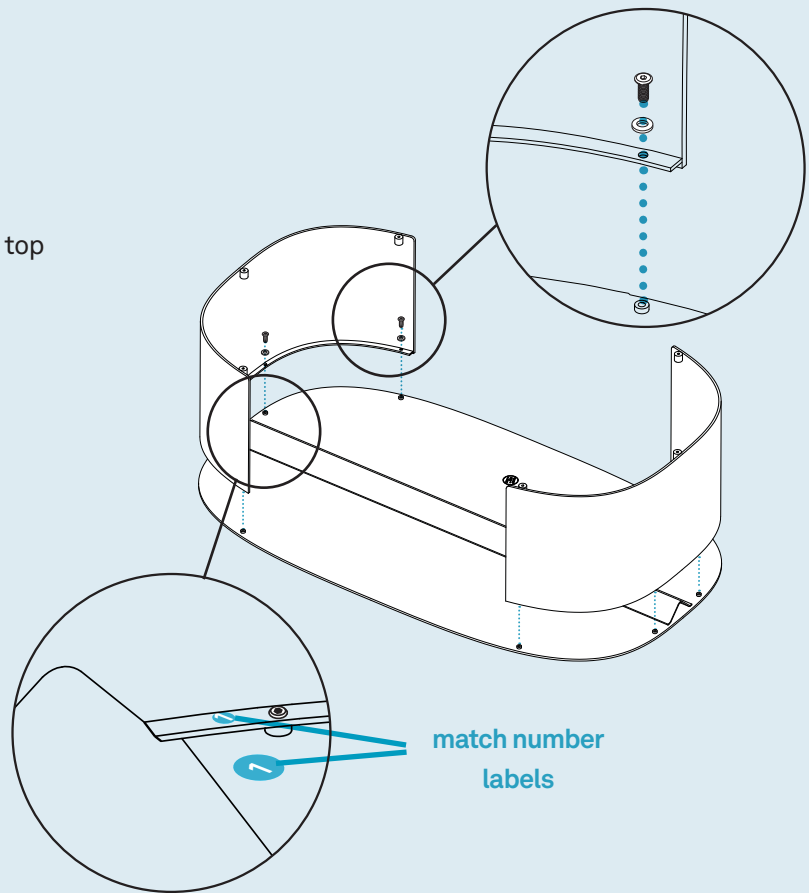
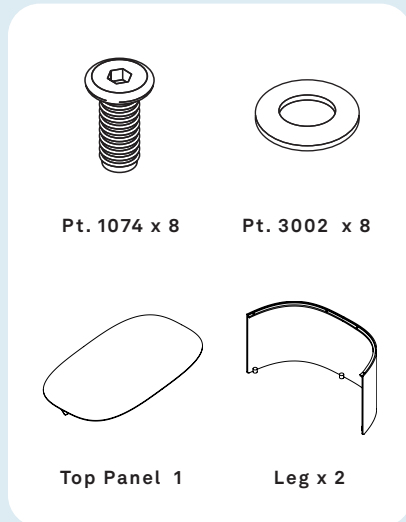
QTY 1

Top Panel

# Step 01

## ATTACHING THE LEGS

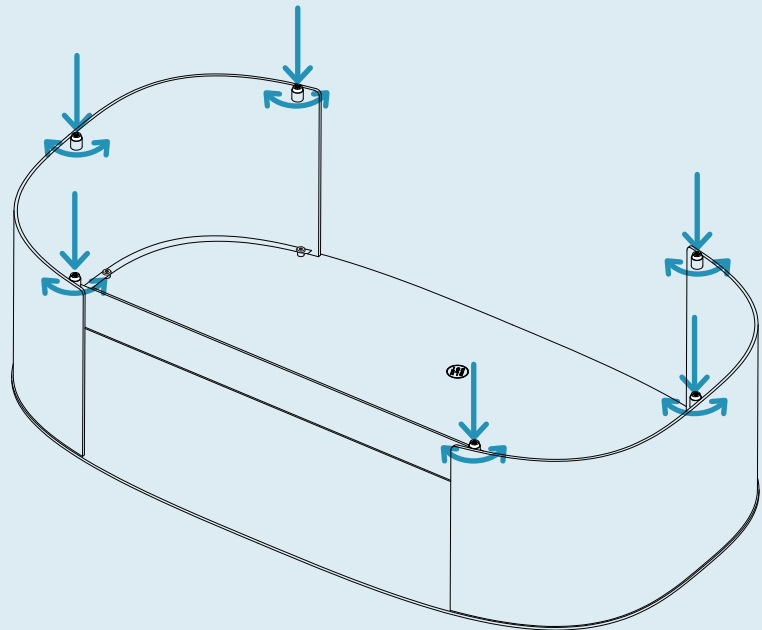
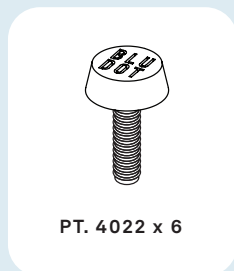
Use the provided hardware to secure the top panel to the base as shown. Match the



# Step 02

## LEVELING THE GLIDES

Install and level the adjustable glides.



## Additional Information

### CLEAN

Clean with a slightly damp, soft cloth. To remove dirt and fingerprints, use a mild cleaner such as dish soap. Wipe completely dry with a soft cloth.

