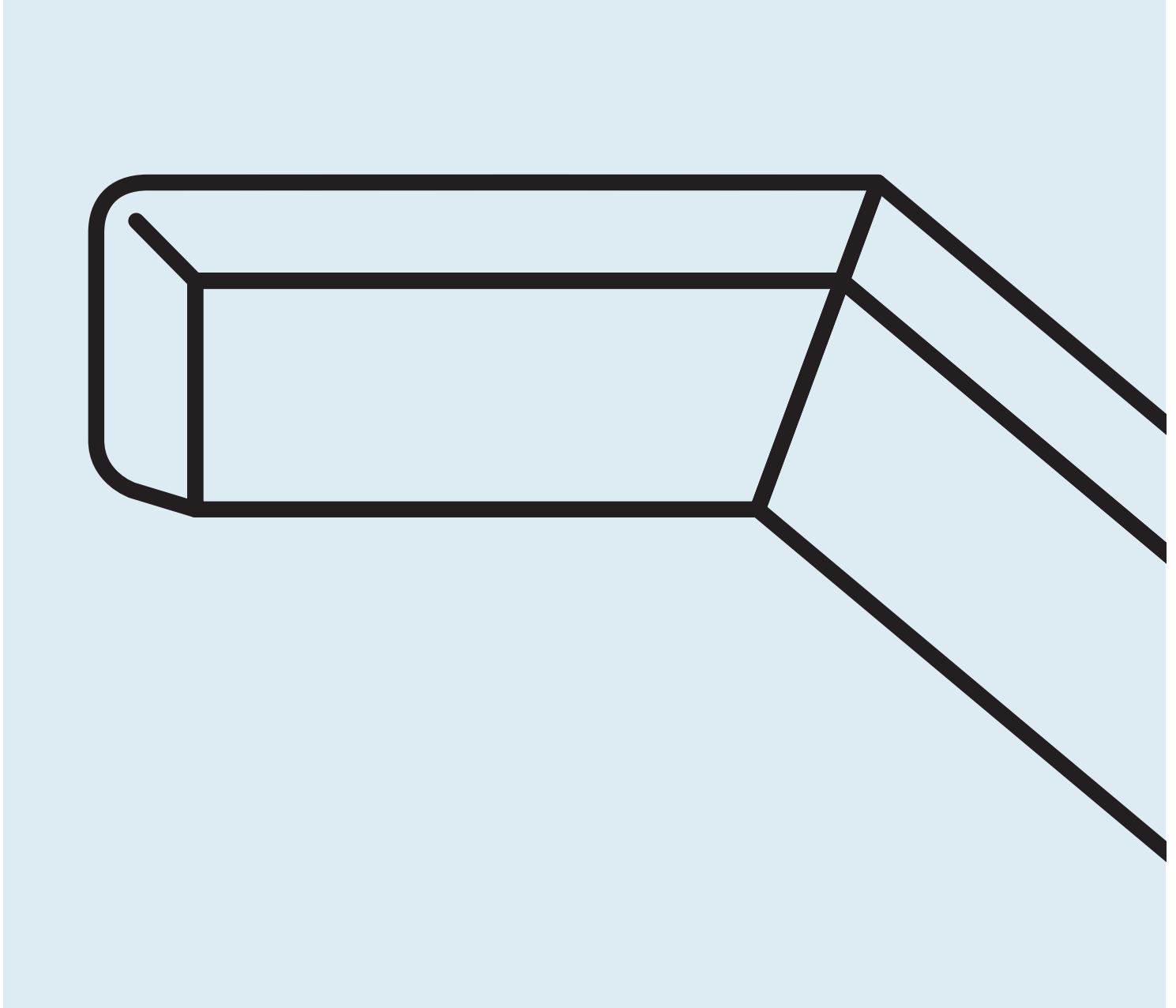


Thataway Angled Sectional



DESIGNED IN 2017

ASSEMBLY NOTES | REV 04



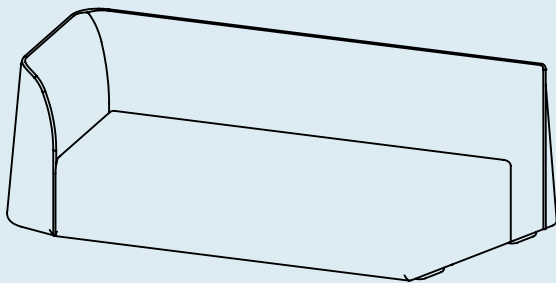
NEED A HAND?

Contact us at service@bludot.com or **844.425.8368** for assistance.

@BLUDOT

We design all our pieces in our Minneapolis studio. Follow along on Instagram for some sneak peeks into the process.

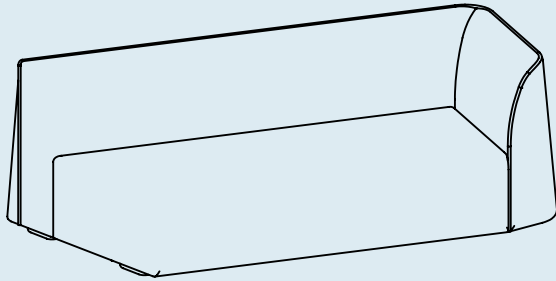
Parts & Hardware



QTY

1

Left Sectional



QTY

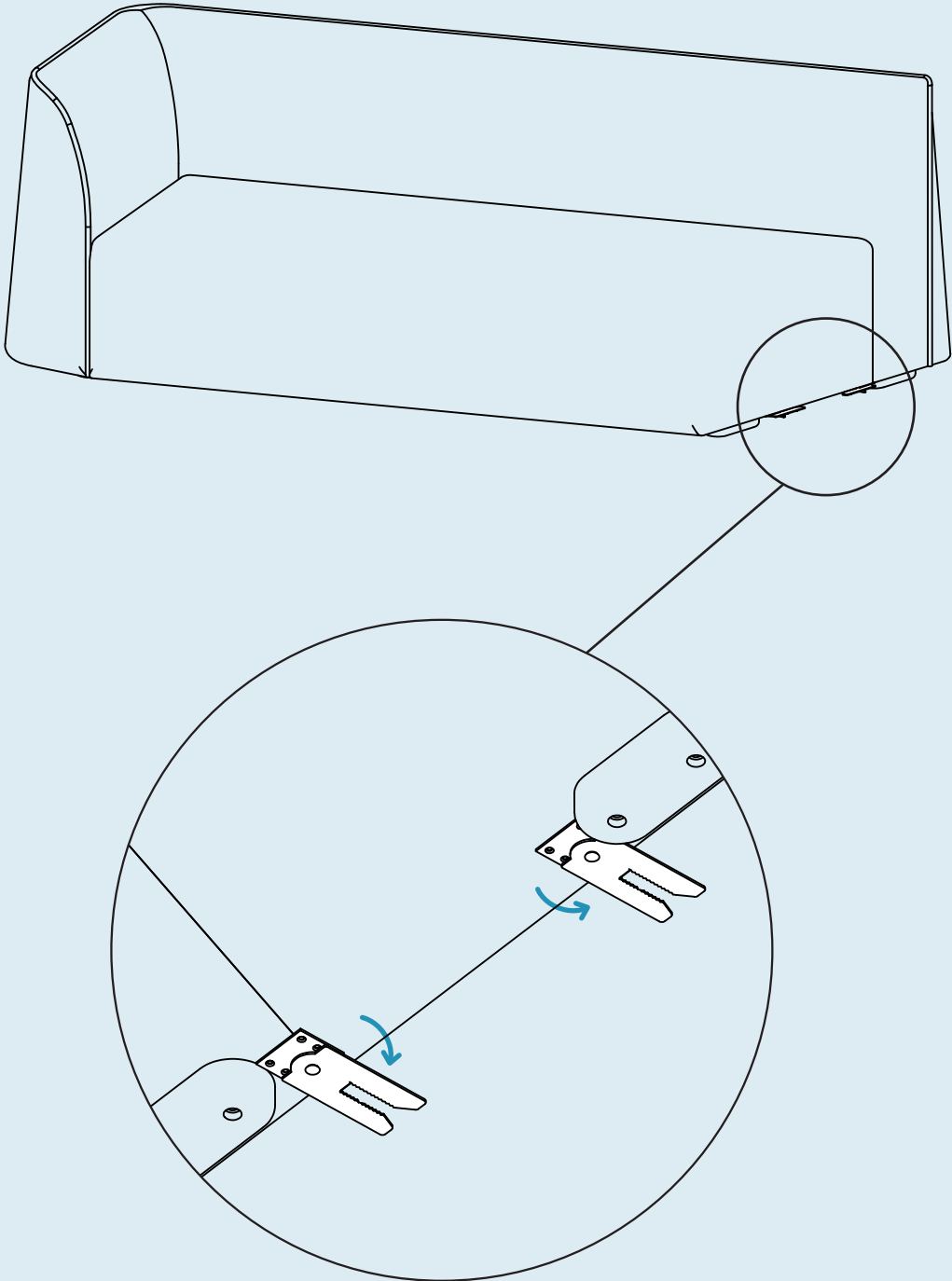
1

Right Sectional

Step 01

PREPARE SECTIONAL HARDWARE.

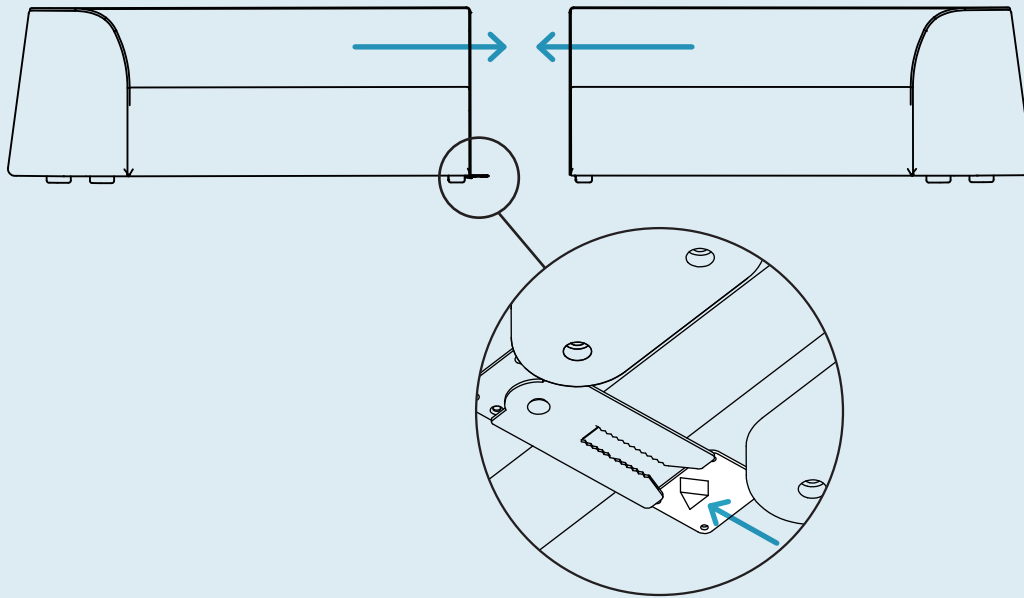
Rotate the sectional hardware located on the bottom of the left sectional sofa as shown.



Step 02

ENGAGE SECTIONAL CONNECTORS.

Align sectional connector hardware located on the bottom of both sofa pieces. Once aligned, slide the sectional pieces together until the inner edges touch.



Additional Information

CLEAN

Vacuum your upholstery regularly.

SPILLS

Act quickly with spills. Absorb the spill with a clean white cloth or paper towel. Never rub the surface. Do not use water or other liquids to clean, as they may stain the fabric. Consult a commercial cleaning specialist for removal of stubborn stains.

AVOID

Keep upholstery & felt furniture out of direct sunlight and away from heat sources; excessive exposure to sunlight may fade the color of the upholstery. Avoid placing heavy or sharp objects on the furniture surface for long periods of time; this can cause permanent indentations in the fabric. For snags in the fabric, tuck loose threads into fabric or carefully push to reverse side. Never pull out or cut off loose threads.

